



# **LIQUIMECH STANDPIPE**

## **Installation Guide**

*V1.0.2*



# Table of Contents

---

I.	Introduction .....	2
II.	Safety Precautions.....	2
III.	Pre-Installation Preparation .....	2
IV.	Standpipe Parts .....	3
V.	Center of Mass .....	4
VI.	Installation Steps.....	7
VII.	Unfolding Process .....	9
VIII.	Installation and Technical Support.....	11

# LIQUIMECH STANDPIPE

## Installation Guide

---

### I. Introduction

This installation guide provides step-by-step instructions for installing a Liquimech Standpipe. It includes detailed steps, diagrams, and references to ensure a safe and accurate installation.

### II. Safety Precautions

Before starting the installation, ensure the following safety measures are in place:

- Wear appropriate Personal Protective Equipment (PPE).
- Verify that all tools and equipment are in good working condition.
- Follow all local safety regulations and guidelines.

### III. Pre-Installation Preparation

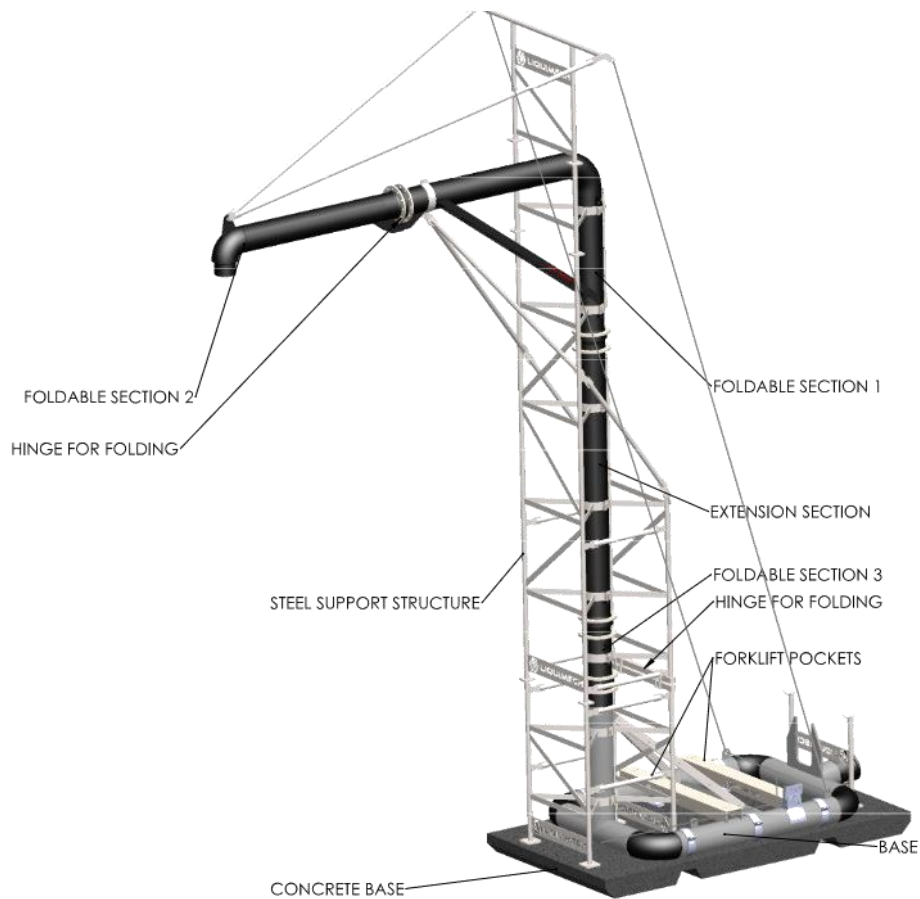
- Clear the work area of obstacles, hazards, and unauthorized personnel.
- Set up safety barriers and warning signs.
- Ensure the ground is even. If necessary, level the ground to prevent instability.

# LIQUIMECH STANDPIPE

## Installation Guide

### IV. Standpipe Parts

ISOMETRIC VIEW  
UNFOLDED

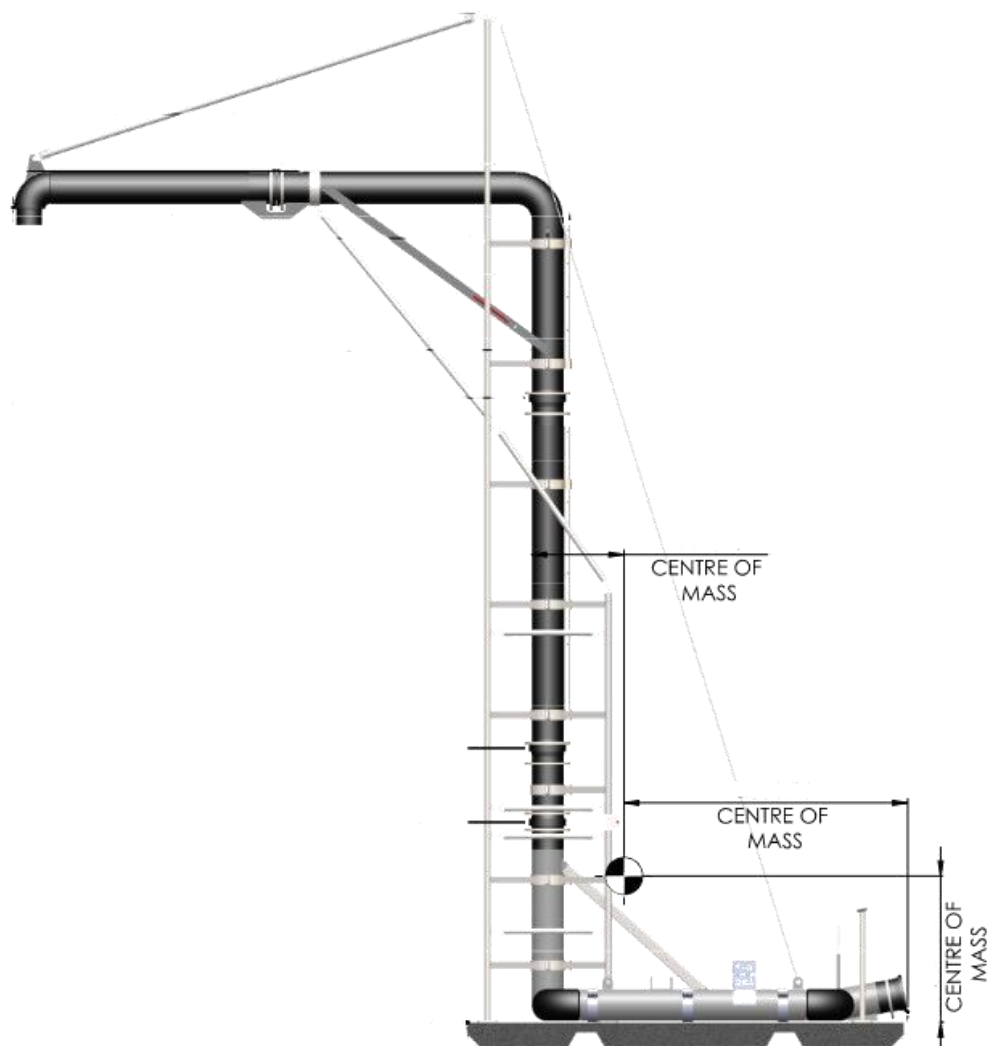


# LIQUIMECH STANDPIPE

## Installation Guide

### V. Center of Mass

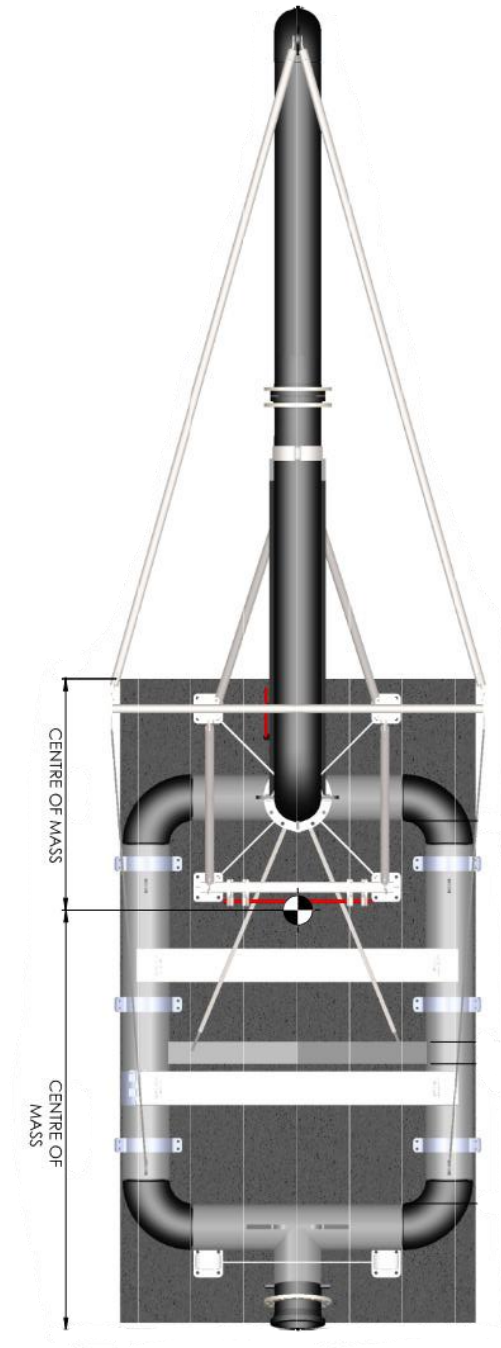
SIDE VIEW  
UNFOLDED



# LIQUIMECH STANDPIPE

## Installation Guide

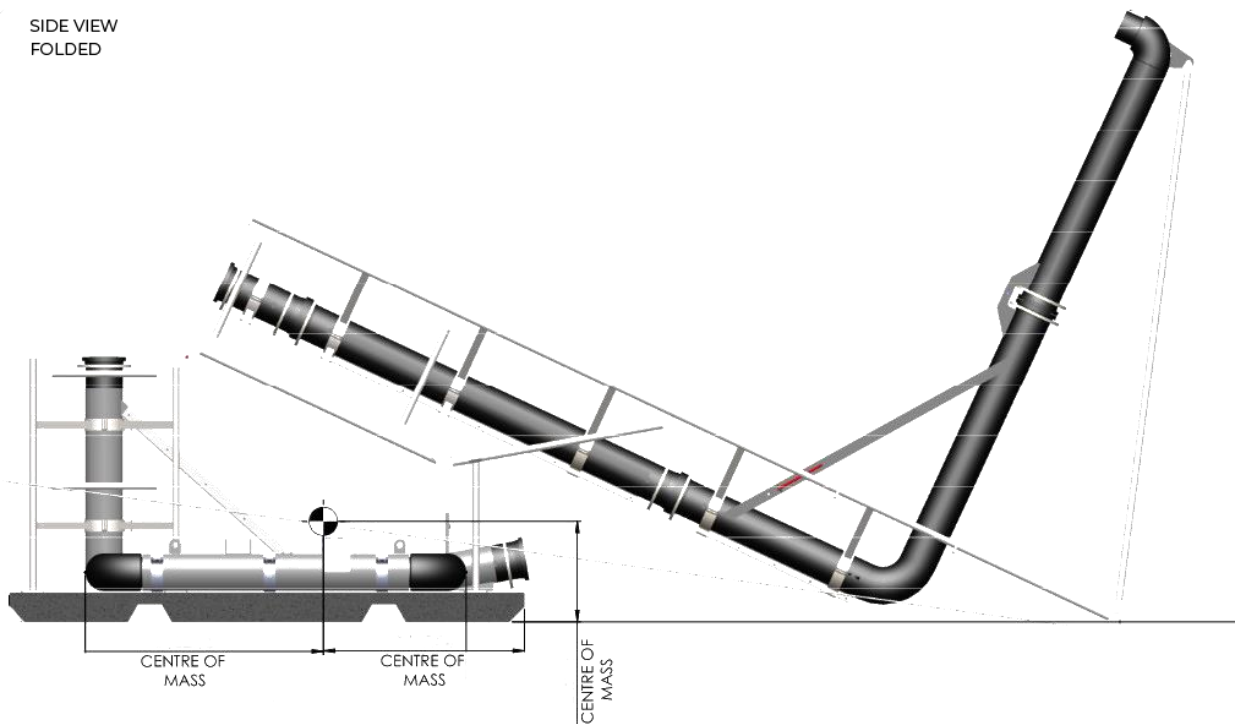
---



# LIQUIMECH STANDPIPE

## Installation Guide

SIDE VIEW  
FOLDED



# LIQUIMECH STANDPIPE

## Installation Guide

---

### VI. Installation Steps

Step 1



Step 2





# LIQUIMECH STANDPIPE

## Installation Guide

---

Step 3



Step 4



# LIQUIMECH STANDPIPE

## Installation Guide

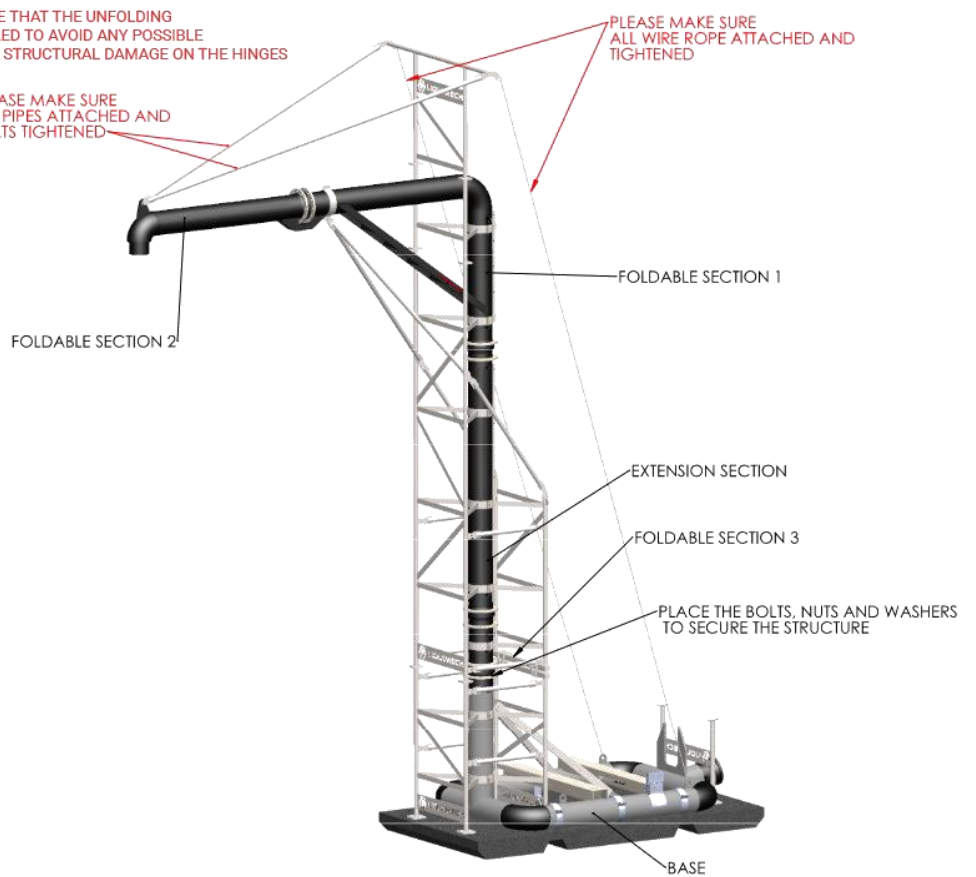
### VII. Unfolding Process

ISOMETRIC VIEW  
UNFOLDING PROCESS

PLEASE MAKE SURE THAT THE UNFOLDING IS WELL CONTROLLED TO AVOID ANY POSSIBLE HUMAN INJURY OR STRUCTURAL DAMAGE ON THE HINGES

PLEASE MAKE SURE ALL PIPES ATTACHED AND BOLTS TIGHTENED

PLEASE MAKE SURE ALL WIRE ROPE ATTACHED AND TIGHTENED



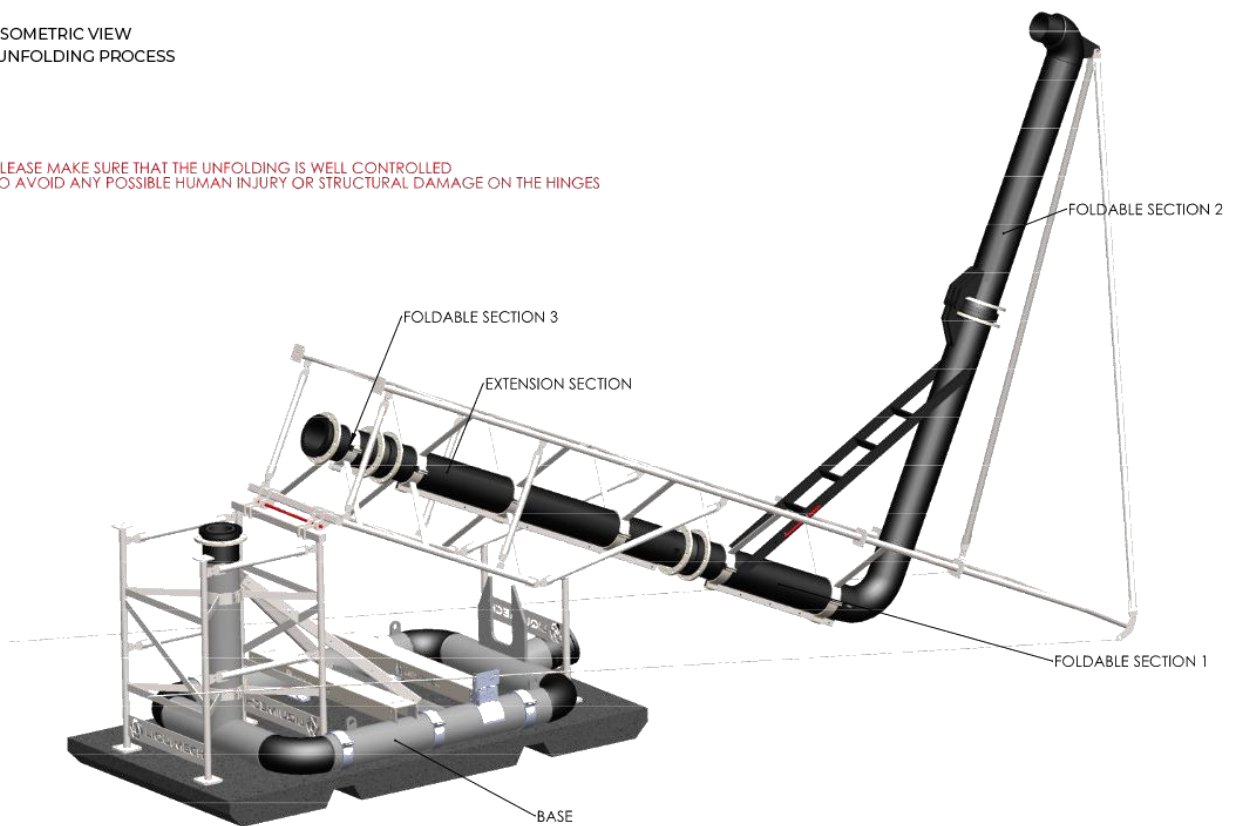
# LIQUIMECH STANDPIPE

## Installation Guide

---

ISOMETRIC VIEW  
UNFOLDING PROCESS

PLEASE MAKE SURE THAT THE UNFOLDING IS WELL CONTROLLED  
TO AVOID ANY POSSIBLE HUMAN INJURY OR STRUCTURAL DAMAGE ON THE HINGES



# LIQUIMECH STANDPIPE

## Installation Guide

---

### **VIII. Installation and Technical Support**

Follow this installation guide to ensure a safe and efficient setup of the Liquimech Standpipe. For further technical assistance, contact the Liquimech engineering team at 1300 954 202 or email [sales@liquimech.com.au](mailto:sales@liquimech.com.au).



**You Define, We Design**